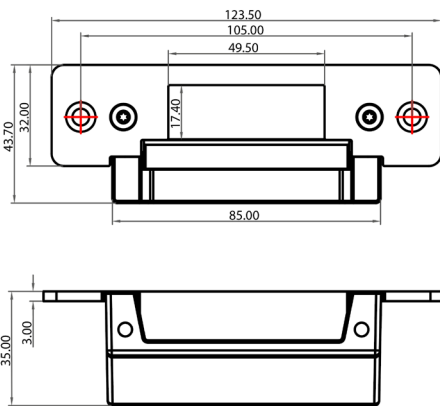







## ANSI-style Monitored Strike, 12Vdc



### Key Features

-  Interchangeable fail safe and fail secure lock modes
-  Input voltage of 12Vdc
-  Door status monitoring as standard
-  Supplied with both long & short faceplate
-  Adjustable jaw with optional extension lips

### Product Description

This ANSI-style monitored electric strike can be adjusted between fail safe and fail secure as needed. Suitable for wooden or metal doors, this strike is robust, with a stainless steel jaw for added strength. The ANSI is supplied with both a long and a short faceplate as well as a full fixing kit for metal doors, making it a flexible solution for a huge range of projects.

## Product Specifications

	ANSI
Surface Material	Stainless steel (jaw)
Holding Force	750kg
Mounting	Mortice
Lock Mode	Fail safe or fail secure (switchable)
Handing	Left or right (reversible body)
Jaw Type	Adjustable jaw (with extension lips)
Cycle Testing	Tested for 200,000 operations
Dimensions	165 (long faceplate), 124 (short faceplate) x 43 x 38 mm
Product Weight	0.35 kg
Power Supply	12 Vdc
Power Consumption	250mA