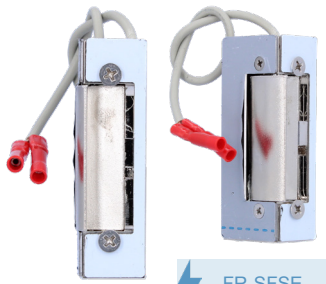


FR, S Strikes



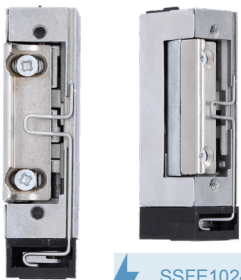
Symmetrical EURO Strikes



FR-SFSE








SFSE1024



SSFE1024M

Key Features

-  Fail secure lock mode
-  Input voltage of 12Vdc, or 10-24Vdc, continuous current
-  Fire rated under EN1634-1 for 120 minutes (FR-SFSE only)
-  Door status monitoring strike option available (SSFE1024M only)
-  Adjustable or fixed jaw strike models

Product Description

These symmetrical strikes offer high-quality fail secure locking, continuous current, include an internal MOV for added protection from electric spikes, and come supplied with a faceplate. The FS strike, offers one metric ton of holding force at the jaw, 120 minutes of fire resistance under EN1634-1. The S Series feature a small symmetrical body and are suitable for UPVC doors and multipoint locking. Furthermore, the adjustable jaw provides 4mm of play.

Product Specifications

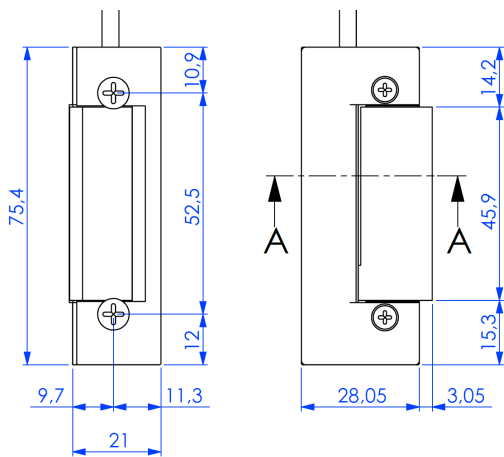
	FR-SFSE	SFSE1024	SSFE1024M
Surface Material	306 stainless steel (faceplate only)	Zamak®	
Holding Force	1,000kg	325kg	
Mounting	Mortice		
Monitoring	No	Yes	
Lock Mode	Fail secure		
Handing	Left or right (reversible body)		
Jaw Type	Fixed	Adjustable	
Cycle Testing	Tested for 500,000 operations	Tested for 300,000 operations	
Dimensions	75.5 x 22 x 28 mm	67 x 22.5 x 28 mm	75 x 21 x 28 mm
Product Weight	0.23 kg	0.18 kg	0.2 kg
Power Supply	12 Vdc	10 - 24 Vdc	
Power Consumption	380mA	300mA @ 12Vdc, 250mA @ 12Vac / 600mA @ 24Vdc, 510mA @ 24Vac	540mA @ 12Vac / 630mA @ 12Vdc

Range References

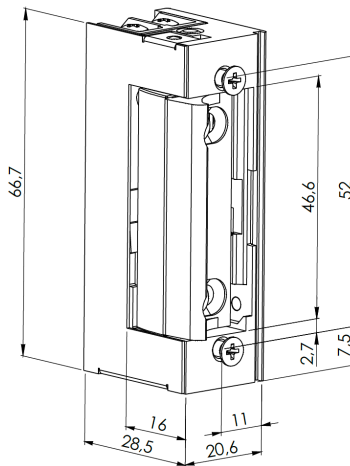
FR-SFSE	Symmetrical fail secure strike, fire rated, 12Vdc, continuous current
SFSE1024	Symmetrical fail secure strike, 10-24Vdc, continuous current
SSFE1024M	Symmetrical fail secure monitored strike, 10-24Vdc, continuous current

Accessories

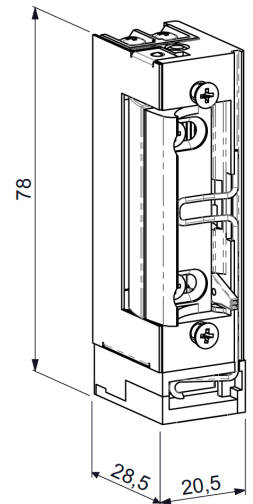
T290	Stainless steel faceplate with deadbolt cut-out
RIM	Surface RIM case, grey finish



 FR-SFSE



 SFSE1024



 SSFE1024M