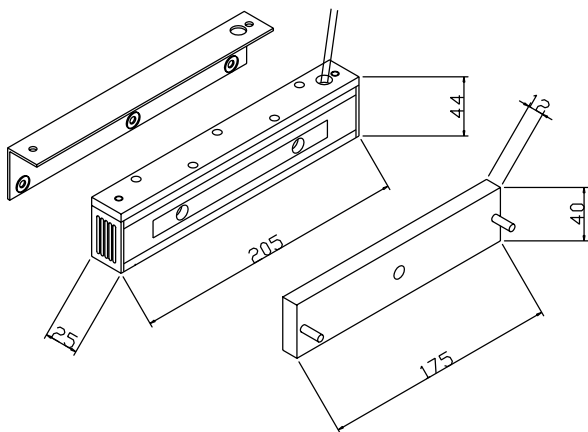





MS10

MS10 Mini Maglock



Key Features

-  Small dimensions for installs with limited space
-  No compromise on power despite small size
-  Choose side or face fixing

Product Description

The MS10 mini maglock is designed for installations where space is at a premium, without compromising on holding force. Despite its compact dimensions, it delivers dependable locking performance for secure access control. Installers can choose between side or face fixing, making it a flexible solution for a variety of door configurations.

Product Specifications

	MS10-SS-U-12V
Surface Material	Nickel plated mild steel
Holding Force	300kg
Mounting	Surface
Monitoring	No
Door Status	No
Dimensions	205 x 38 x 25 mm
Armature Plate Dimensions	175 x 40 x 12 mm
Power Supply	12Vdc
Power Consumption	500ma @ 12Vdc

Range References

MS10-SS-U-12V Single mini maglock, surface mount, unmonitored

Accessories

AFH-MS10.15.20 Flush armature housing for outward-opening doors with bevelled edge for MS10, MS15, & MS20 maglock