






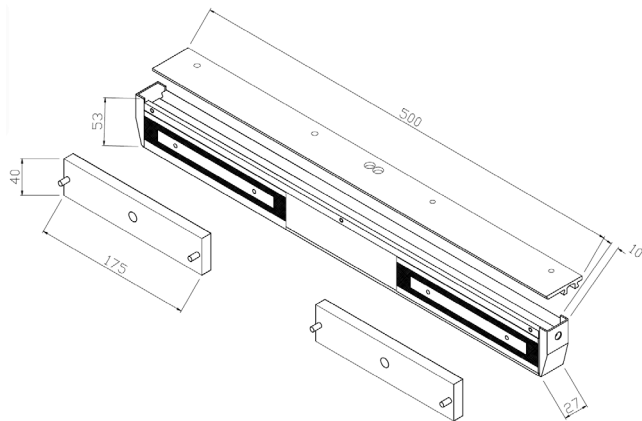
MS15

MS15 Double Slim Maglocks



Key Features

-  Easy to clean - electroless nickel plated
-  Durable and resilient satin anodised housing
-  Simple fixings for quick and easy installation
-  RAL paint finish option
-  Robust holding force for secure applications



Product Description

The MS15 slim double maglock range combines a sleek profile with robust performance, making it ideal for modern access control installations. The electroless nickel-plated magnet is easy to clean, while the satin anodised housing offers excellent durability. Simple fixings allow for quick and straightforward installation, with optional RAL paint finishes available. High holding force ensures reliable security across a wide range of applications.

Product Specifications

	MS15-DS-H-MV	MS15-DS-HR-MV	MS15-DS-U-MV	MS15-DS-UR-MV	MS15-DS-UR-MV400MM	MS15-DS-U-MV400MM
Surface Material	Satin anodised housing					
Holding Force	600kg					
Mounting	Surface					
Monitoring	Yes			No		
Door Status	No	Yes	No	Yes	No	
Dimensions	500 x 53 x 28 mm				400 x 53 x 28 mm	
Armature Plate Dimensions	175 x 40 x 12 mm					
Product Weight	4.5 kg					
Power Supply	12/24Vdc					
Power Consumption	250mA @ 12Vdc / 500mA @ 24Vdc					

Range References

MS15-DS-H-MV	Double slim maglock, surface mount, monitored
MS15-DS-HR-MV	Double slim maglock, surface mount, monitored, with door status
MS15-DS-U-MV	Double slim maglock, surface mount, unmonitored
MS15-DS-UR-MV	Double slim maglock, surface mount, unmonitored, with door status
MS15-DS-UR-MV400MM	Double slim maglock, surface mount, unmonitored, with door status, 400mm
MS15-DS-U-MV400MM	Double slim maglock, surface mount, unmonitored, 400mm

Accessories

LB-MS15-D	Double L-bracket for MS15 maglock
LB-MS15-D-400mm	Double L-bracket for inward-opening door for MS15 maglock, 400mm
LBR-MS15-D	Rear double L-bracket for MS15 maglock
AP-MS15.20	Armature plate only for MS15 & MS20 maglock
APR-MS15.20	Armature plate with door status only for MS15 & MS20 maglock
AFH-MS10.15.20	Flush armature housing for outward-opening doors with bevelled edge for MS10, MS15, & MS20 maglock