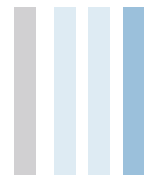


MS20



MAGNETIC SOLUTIONS

MS20 Single Unmonitored Transom Maglocks



⚡ MS20-SF-U-MV
MS20-SF-UR-MV







⚡ MS20-SS-UR-MV



⚡ MS20-SS-U-MV1M
MS20-SS-UR-MV1M

⚡ MS20-SS-U-MV2M
MS20-SS-UR-MV2M

Key Features

-  Easy to clean - electroless nickel plated magnet
-  Ideal for sliding door applications (armature in housing)
-  RAL paint finish option
-  Robust and durable electronic locking

Product Description

The MS20 single transom magnet is an ideal solution for sliding door applications, with the armature neatly housed for a clean and secure installation. The electroless nickel-plated magnet is easy to clean and built for long-term durability. Robust electronic locking performance ensures dependable security, with optional RAL paint finishes available to match surrounding door hardware.

Product Specifications

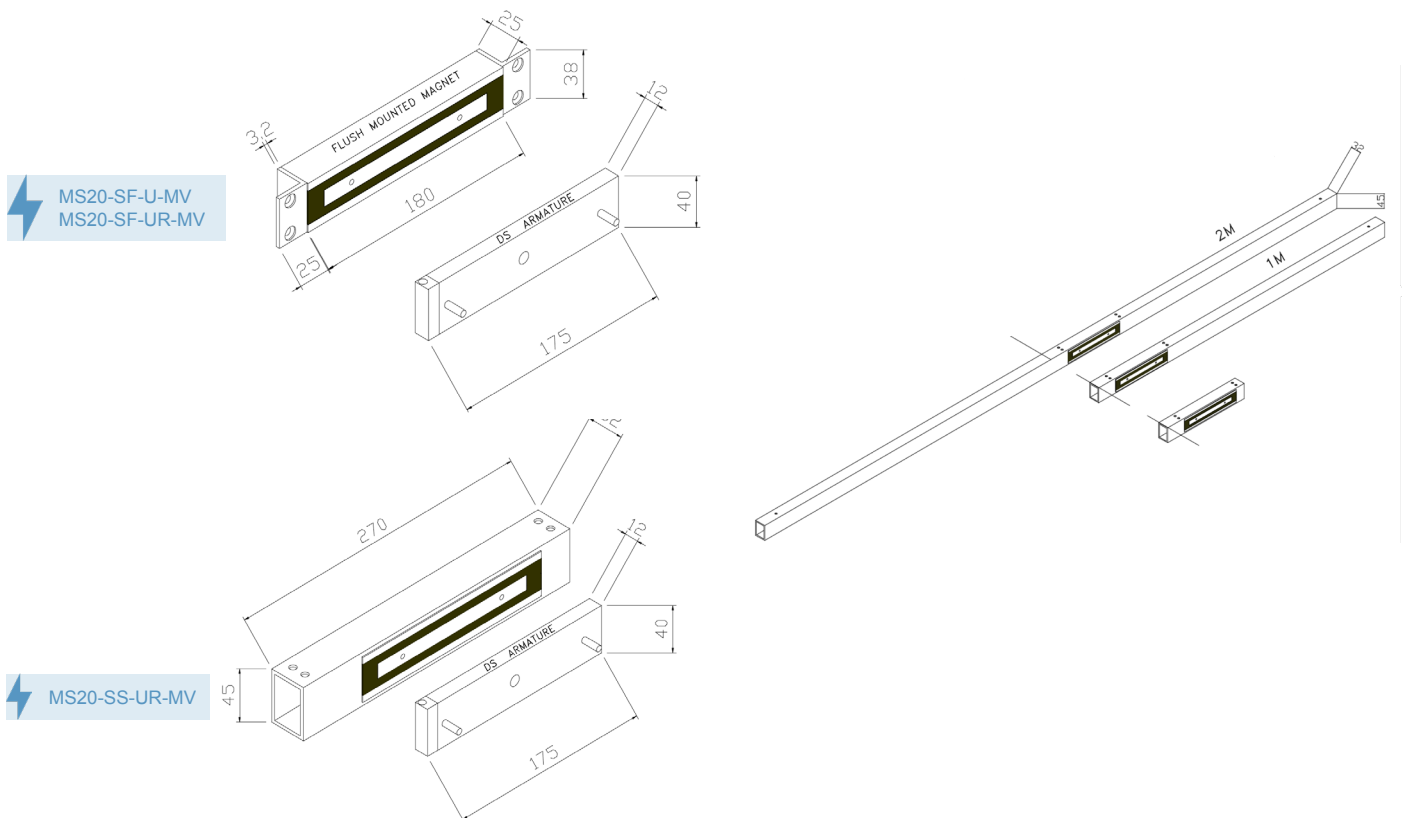
	MS20-SF-U-MV	MS20-SF-UR-MV	MS20-SS-U-MV	MS20-SS-U-MV1M	MS20-SS-U-MV2M	MS20-SS-UR-MV	MS20-SS-UR-MV1M	MS20-SS-UR-MV2M
Surface Material	Satin anodised housing							
Holding Force	300kg							
Mounting	Flush			Surface				
Transom Alignment	Horizontal							
Monitoring	No							
Door Status	No	Yes	No			Yes		
Dimensions	187 x 38 x 25 mm		275 x 45 x 33 mm	1000 x 45 x 33 mm	2000 x 45 x 33 mm	275 x 45 x 33 mm	1000 x 45 x 33 mm	2000 x 45 x 33 mm
Armature Plate Dimensions	175 x 40 x 12 mm							
Power Supply	12/24Vdc							
Power Consumption	250mA @ 12Vdc / 500mA @ 24Vdc							

Range References

MS20-SF-U-MV	Single transom magnet, flush mount, unmonitored, 300kg
MS20-SF-UR-MV	Single transom magnet, flush mount, unmonitored, with door status, 300kg
MS20-SS-U-MV	Single transom magnet, surface mount, unmonitored, with PCB only, 300kg
MS20-SS-U-MV1M	Single transom magnet, surface mount, unmonitored, 1m horizontal housing, 300kg
MS20-SS-U-MV2M	Single transom magnet, surface mount, unmonitored, 2m horizontal housing, 300kg
MS20-SS-UR-MV	Single transom magnet, surface mount, unmonitored, with door status, 300kg
MS20-SS-UR-MV1M	Single transom magnet, surface mount, unmonitored, with door status, 1m horizontal housing, 300kg
MS20-SS-UR-MV2M	Single transom magnet, surface mount, unmonitored, with door status, 2m horizontal housing, 300kg

Accessories

LB-MS20-S	Single L-bracket for MS20 maglock
TB-MS20-S-1M	Transom bracket for MS20 maglock, 1m
AP-MS15.20	Armature plate only for MS15 & MS20 maglock
APR-MS15.20	Armature plate with door status only for MS15 & MS20 maglock
AFH-MS10.15.20	Flush armature housing for outward-opening doors with bevelled edge for MS10, MS15, & MS20 maglock
ASH-MS10.15.20	Surface armature housing for outward-opening doors with bevelled edge for MS10, MS15, & MS20 maglock
AMP-MS10.15.20	Surface armature plate for outward-opening doors for MS10, MS15, & MS20 maglock
TBC-MS15.20.30-S	Single transom bracket cover for MS15, MS20, & MS30 maglock



All the information contained within this document (pictures, drawings, features, dimensions, specifications), could be perceptibly different and can be changed without prior notice. 11/02/26 MS_MS20U_DS_01_EN_A4_C