

MS30W

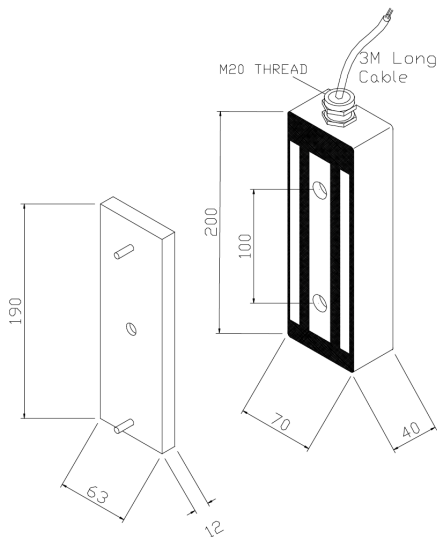


MS30 Weatherproof Maxi Maglocks



Key Features

- Robust construction for outdoor installations
- Brushed stainless steel case to guard against weather effects
- End cable gland
- Ideal for pedestrian or vehicle gates



Product Description

Built for demanding outdoor environments, the MS30 weatherproof maglocks feature a brushed stainless steel case that protects against the effects of weather and corrosion. Available with either an end cable gland or rear cable exit, they offer installation flexibility across different gate designs. These maglocks are ideal for securing pedestrian and vehicle gates where strength and durability are essential.

Product Specifications

	MS30-WS-H-MV	MS30-WS-HR-MV	MS30-WS-U-MV	MS30-WS-UR-MV	MS30-WS-U-RE
Surface Material	Stainless steel housing				
Holding Force	500kg				
Mounting	Surface				
Monitoring	Yes		No		
Door Status	No	Yes	No	Yes	No
Dimensions	200 x 70 x 40 mm				
Armature Plate Dimensions	190 x 63 x 12 mm				
Power Supply	12/24Vdc				
Power Consumption	250mA @ 12Vdc / 500mA @ 24Vdc				

Range References

MS30-WS-H-MV	Weatherproof maglock, 500kg, monitored
MS30-WS-HR-MV	Weatherproof maglock, 500kg, monitored, with door status
MS30-WS-U-MV	Weatherproof maglock, 500kg, unmonitored
MS30-WS-UR-MV	Weatherproof maglock, 500kg, unmonitored, with door status
MS30-WS-U-RE	Weatherproof maglock, 500kg, unmonitored, with rear cable exit