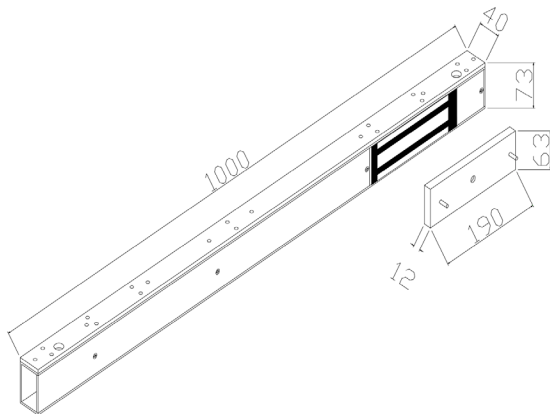





MS30

MS30 Single Maxi Maglocks



Key Features

-  Easy to clean - electroless nickel plated magnet
-  RAL paint finish option
-  Robust and durable electronic locking

Product Description

The MS30 maxi single transom maglock delivers robust and reliable electronic locking in a clean transom-mounted format. The electroless nickel-plated magnet is easy to maintain, while the durable construction ensures long-term performance. Optional RAL paint finishes allow the unit to blend seamlessly into a wide range of architectural environments.

Product Specifications

	MS30-SS-H-MV	MS30-SS-H-MV1M	MS30-SS-HR-MV	MS30-SS-HR-MV1M	MS30-SS-U-MV	MS30-SS-U-MV1M	MS30-SS-UR-MV	MS30-SS-UH-MV1M
Surface Material	Satin anodised housing							
Holding Force	600kg							
Mounting	Surface							
Transom Alignment	Horizontal							
Monitoring	Yes				No			
Door Status	No		Yes		No		Yes	
Dimensions	266 x 73 x 41 mm	1,000 x 73 x 41 mm	266 x 73 x 41 mm	1,000 x 73 x 41 mm	266 x 73 x 41 mm	1,000 x 73 x 41 mm	266 x 73 x 41 mm	1,000 x 73 x 41 mm
Armature Plate Dimensions	190 x 63 x 12 mm							
Product Weight	4.65 kg	7.2 kg	4.65 kg	7.2 kg	4.65 kg	7.2 kg	4.65 kg	7.2 kg
Power Supply	12/24Vdc							
Power Consumption	250mA @ 12Vdc / 500mA @ 24Vdc							

Range References

MS30-SS-H-MV	Single maxi magnet, surface mount, monitored, 600kg
MS30-SS-H-MV1M	Single maxi magnet, surface mount, monitored, 1m horizontal housing, 600kg
MS30-SS-HR-MV	Single maxi magnet, surface mount, monitored, with door status, 600kg
MS30-SS-HR-MV1M	Single maxi magnet, surface mount, monitored, with door status, 1m horizontal housing, 600kg
MS30-SS-U-MV	Single maxi magnet, surface mount, unmonitored, 600kg
MS30-SS-U-MV1M	Single maxi magnet, surface mount, unmonitored, 1m horizontal housing, 600kg
MS30-SS-UR-MV	Single maxi magnet, surface mount, unmonitored, with door status, 600kg
MS30-SS-UH-MV1M	Single maxi magnet, surface mount, unmonitored, with door status, 1m horizontal housing, 600kg

Accessories

AP-MS30	Armature plate only for MS30 maglock
AFH-MS30	Flush armature housing for MS30 maglock
ASH-MS30	Surface armature housing for MS30 maglock with bevelled edge
AMP-MS30	Surface armature mounting plate for MS30 maglock
EMP-MS30-S	Single extended mounting plate for MS30 maglock
LB-MS30-S	Single L-bracket for MS30 maglock
ATB-MS30-S	Adjustable single transom bracket for MS30 maglock
ZB-MS30	Z-bracket for MS30 maglock