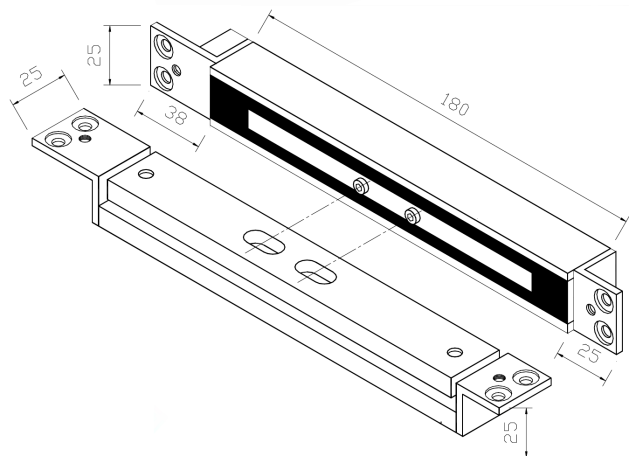


MS40

MS40 Slim Shearlock



Key Features



Ideal for door top rails where space is limited



Invisible when the door is closed



High holding force for robust security

Product Description

The MS40 shearlock is designed for applications where discreet, high-security locking is required, particularly on doors with limited top rail space. Invisible when the door is closed, it provides a clean and unobtrusive finish. Despite its concealed design, it delivers a high holding force for robust and reliable security.

Product Specifications

	MS40-SF-HR
Surface Material	Nickel plated mild steel
Holding Force	1,000kg
Mounting	Flush
Monitoring	Yes
Door Status	Yes
Dimensions	180 x 25 x 25 mm
Armature Plate Dimensions	180 x 25 x 25 mm
Power Supply	12/24Vdc
Power Consumption	1.5A pull in (2 secs), 500mA continuous hold

Range References

MS40-SF-HR	Flush mount shearlock, 25mm width, monitored, 1000kg shear force
------------	--

Accessories

GFK-A	Glass adhesive for shearlock mounting
-------	---------------------------------------