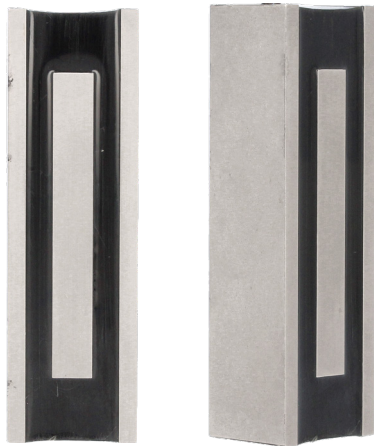


MS5



MAGNETIC SOLUTIONS

MS5 Single Micro Magnet Cabinet Locks



Key Features



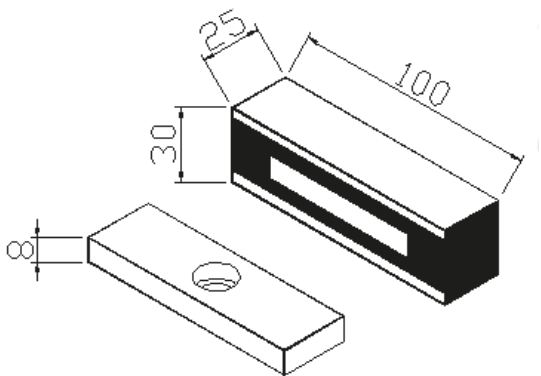
Very small size - ideal for locking cabinets



No external housing on magnet



Simple rear fixing



Product Description

The MS5 single micro magnet is an ultra-compact locking solution, ideal for cabinets and small enclosures. Its very small size and lack of external housing allow for discreet integration into tight spaces. A simple rear fixing makes installation quick and straightforward while maintaining reliable holding performance.

Product Specifications

	MS5-SS-U-12V	MS5-SS-U-24V
Surface Material	Nickel plated mild steel	
Holding Force	100kg	
Mounting	Surface	
Monitoring	No	
Door Status	No	
Dimensions	100 x 30 x 25 mm	
Armature Plate Dimensions	100 x 30 x 8 mm	
Power Supply	12/24Vdc	
Power Consumption	500mA @ 12Vdc / 300mA @ 24Vdc	

Range References

MS5-SS-U-12V	Single micro maglock, surface mount, unmonitored, 12V
MS5-SS-U-24V	Single micro maglock, surface mount, unmonitored, 24V

Accessories

AMP-MS5	Surface armature plate for MS5 maglock
---------	--