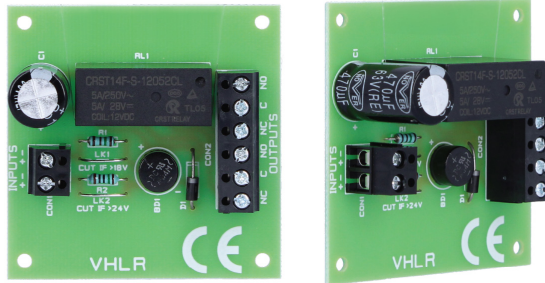


VHL, TPG1



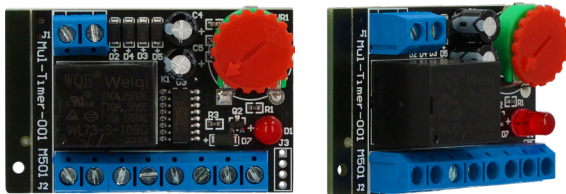
Relay & timer modules



VHLR



VHLD



TPG1

Key Features

- Adjustable timer on delay modules
- Handy modules for installers to have as van spares
- Fail safe or fail secure lock configurations
- Can be operated from simple push button
- Simple lock release for interlock or man-trap configurations

Product Description

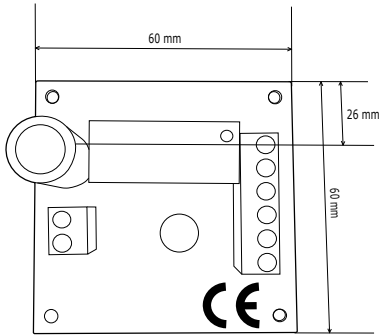
The VHLR, a universal 12–24Vac/dc relay with a double-pole changeover design that makes it a handy spare to keep available. The VHLD delay module adds a 3–10-second delay to any fail-safe lock by cutting power on release and restoring it only after the chosen delay. The TPG1 is an adjustable 0–180-second timer with an auto-relock function controlled by a door contact, making it ideal for simple and reliable door-lock control.

Product Specifications

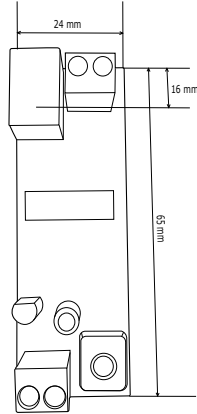
	VHLR	VHLD	TPG1
Relays	2 x NO/NC	1 x NO/NC	1 x NO/NC (+ buzzer output)
Time Delay	n/a	From 3 to 10 sec	From 0 to 180 sec
Lock Mode	Fail safe or fail secure locking devices	Fail safe locking devices only	Fail safe or fail secure locking devices
Dimensions	60 x 60 x 26 mm	65 x 24 x 16 mm	70 x 70 x 25 mm
Product Weight	0.04 kg	0.01 kg	0.26 kg
Power Supply	12 - 24 Vac/dc	10 - 15 Vdc	12 -24 Vac/dc

Range References

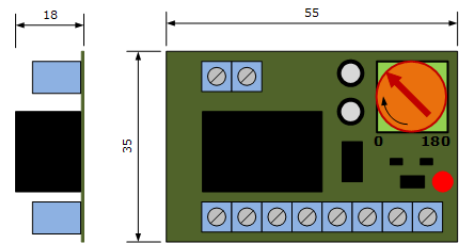
VHLR	Universal relay module
VHLD	Delay module for fail safe locks
TPG1	Relay/timer, 0-15 seconds



 VHLR



 VHLD



 TPG1